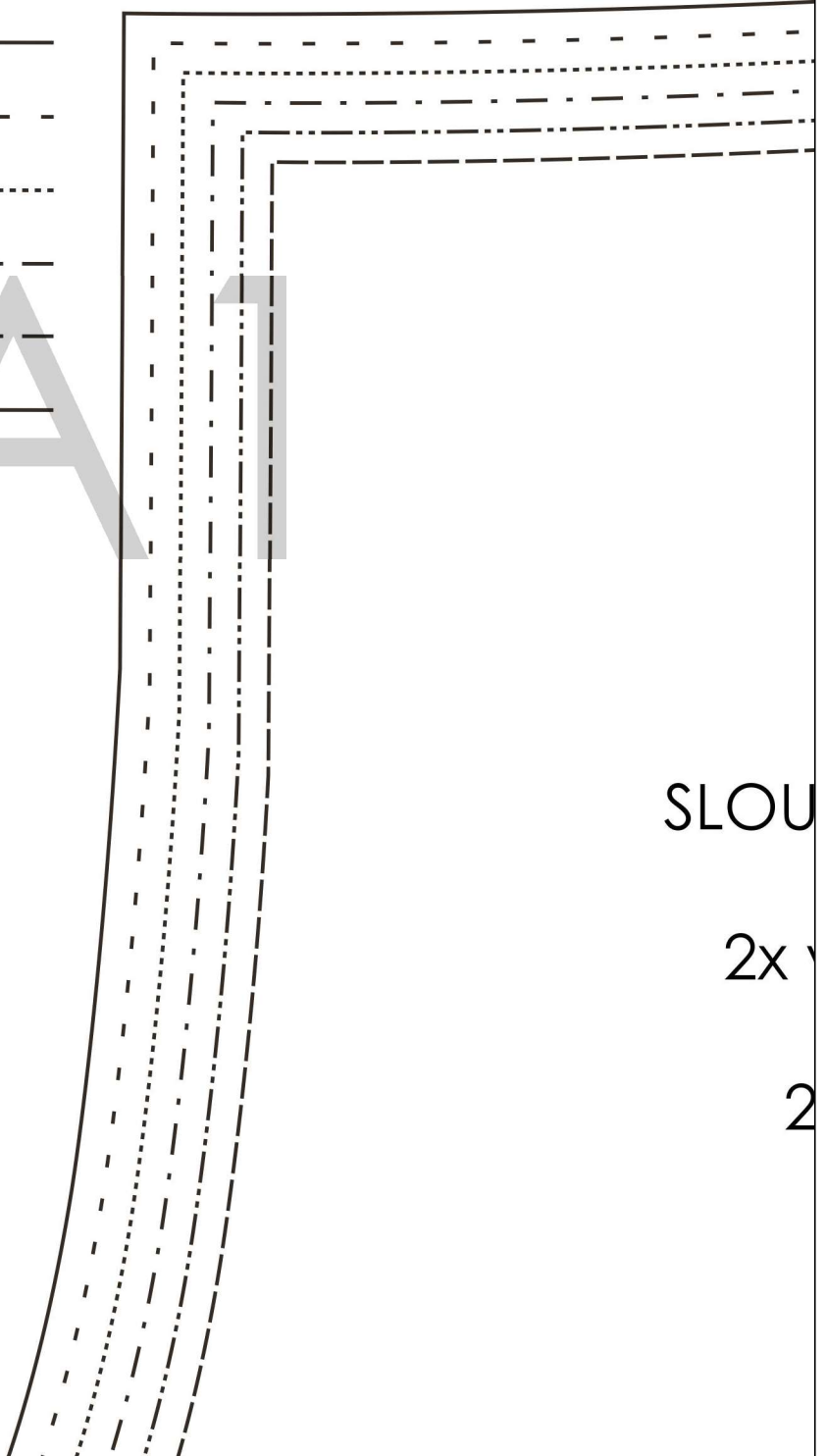


46
44
42
40
38
36

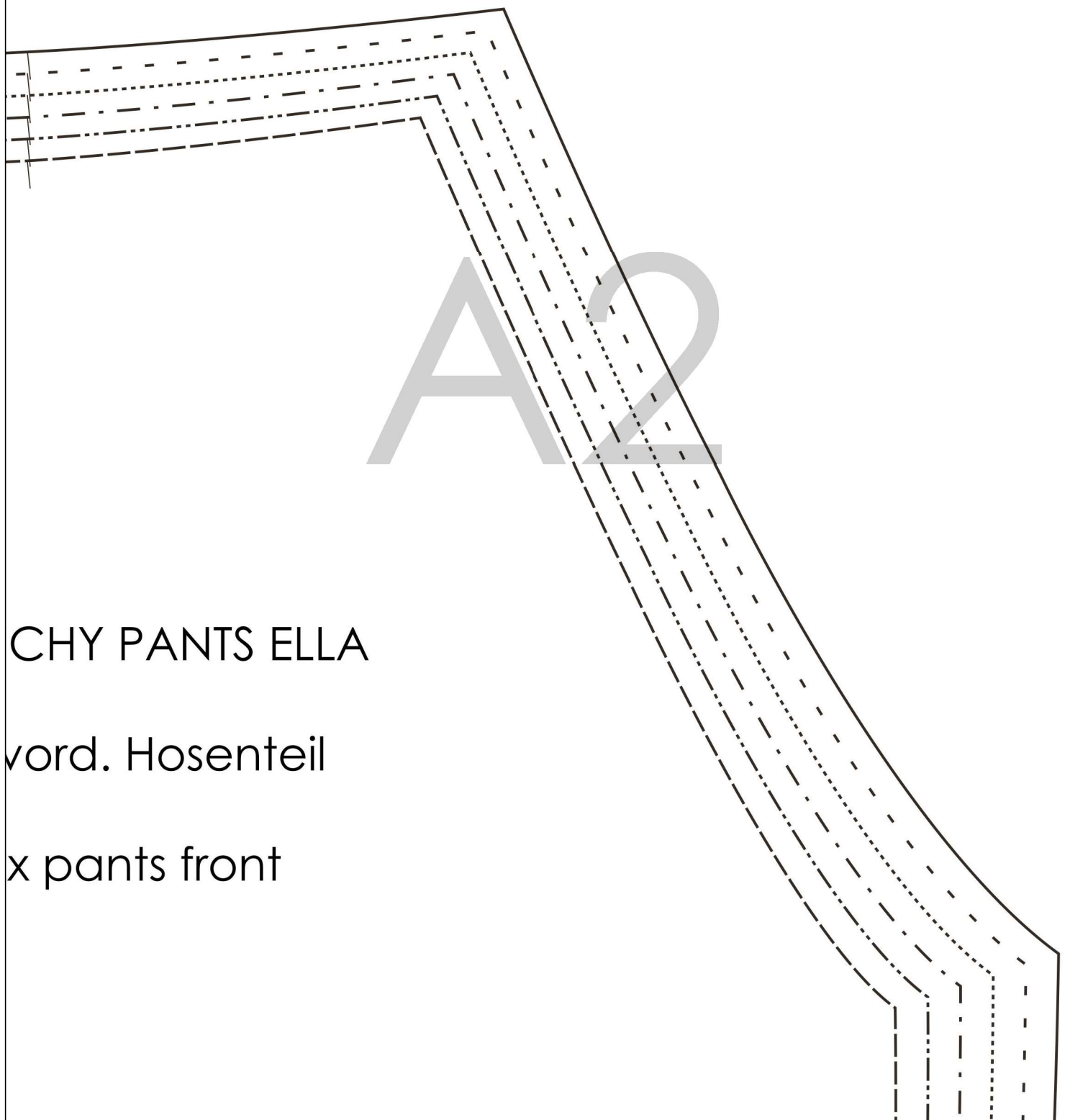
A



SLOU

2x

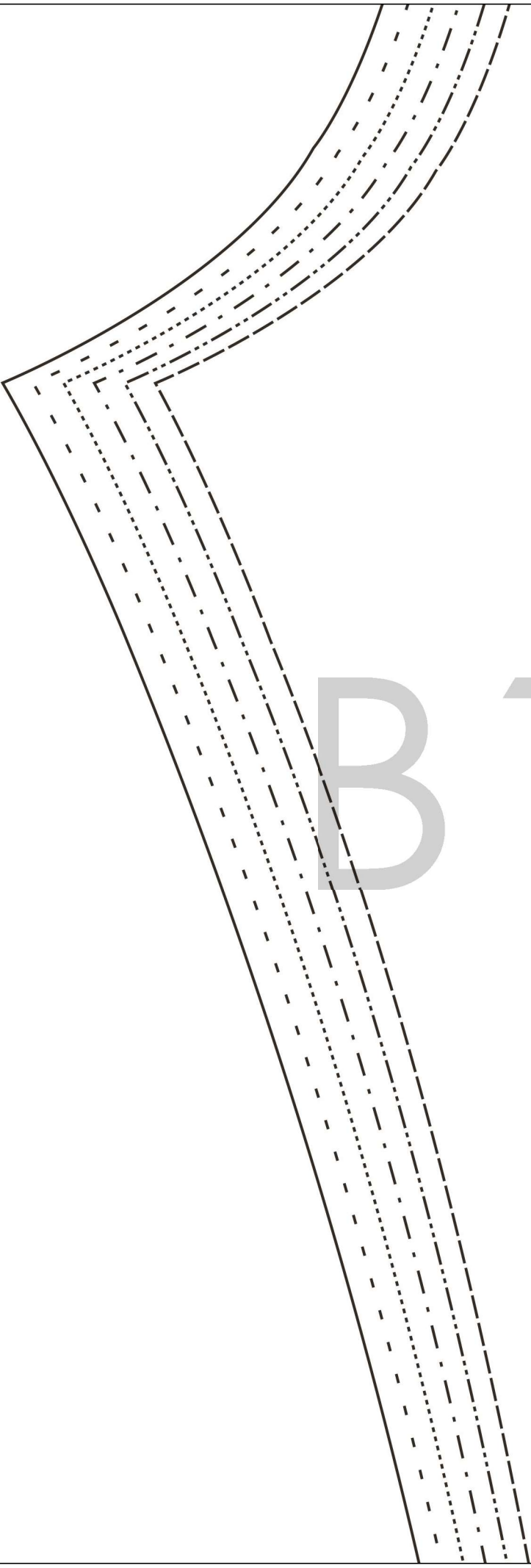
2



CHY PANTS ELLA

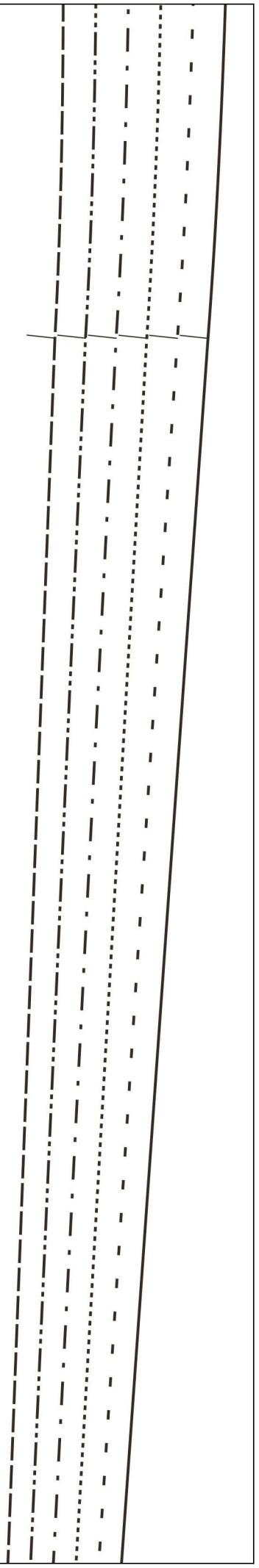
vord. Hosenteil

x pants front



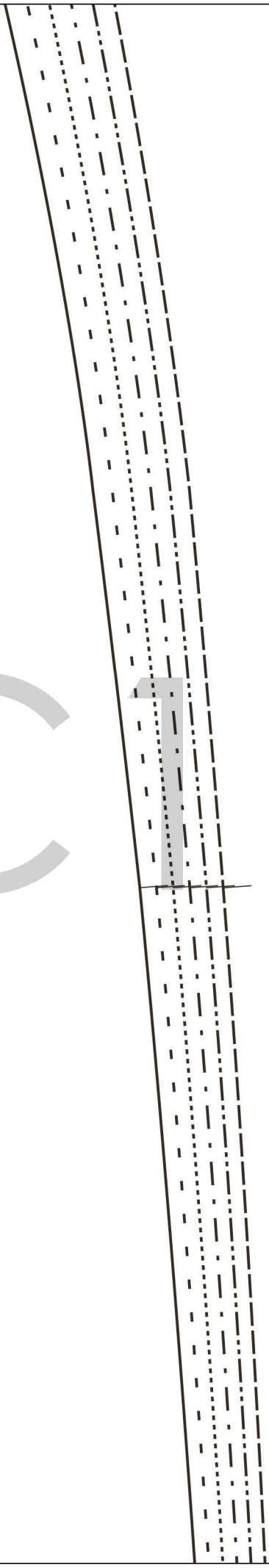
B 1

B2

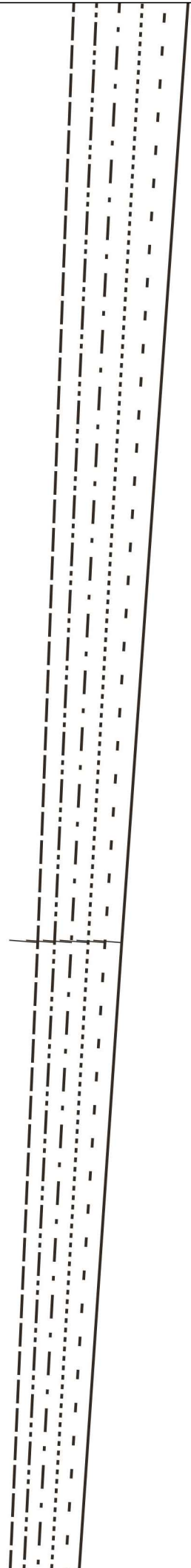


C

1



C2



SLOUCHY PANTS ELLA

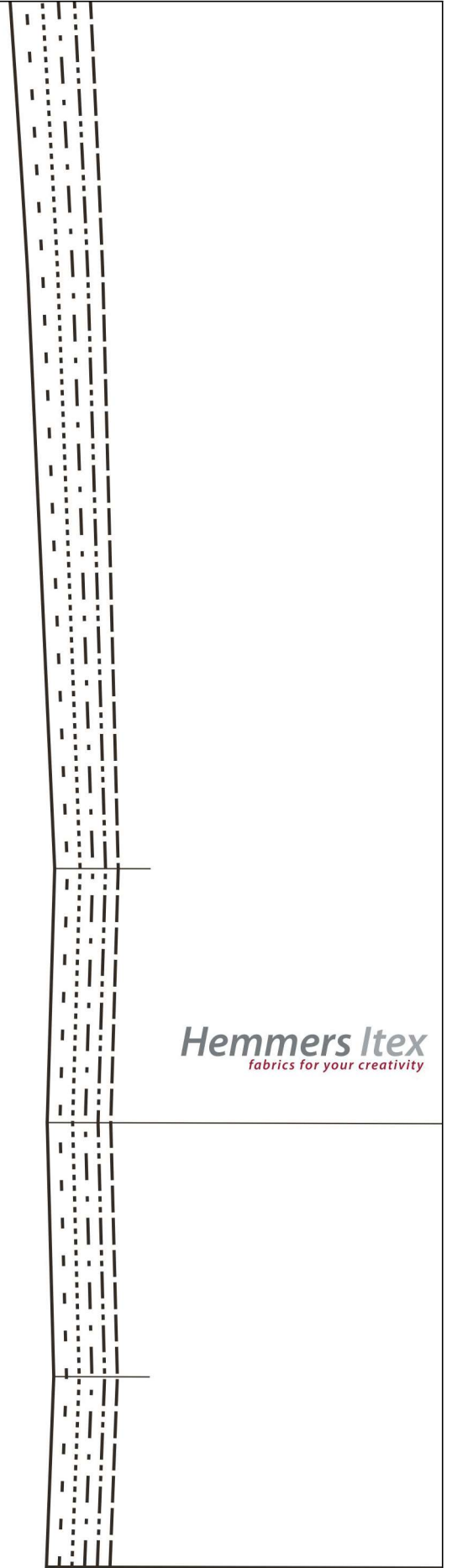
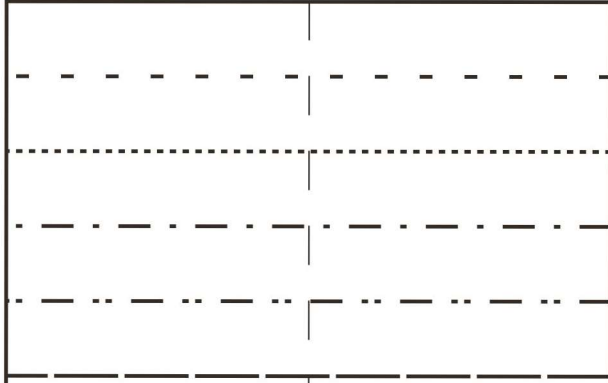
Vord. Bund
1 x im Bruch

waist band front
1 x on fold

Hemmers Itex
fabrics for your creativity

Stoffbruch/Foldline

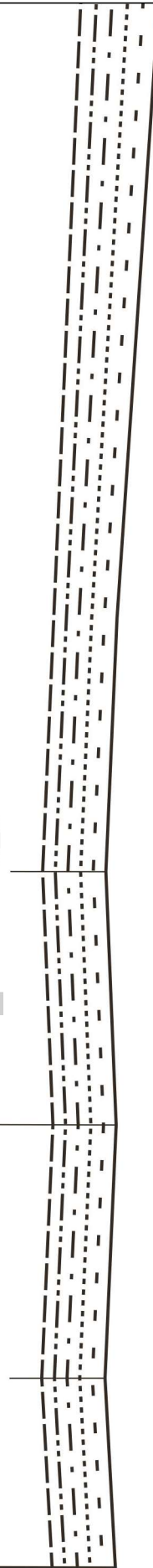
Hemmers Itex
fabrics for your creativity



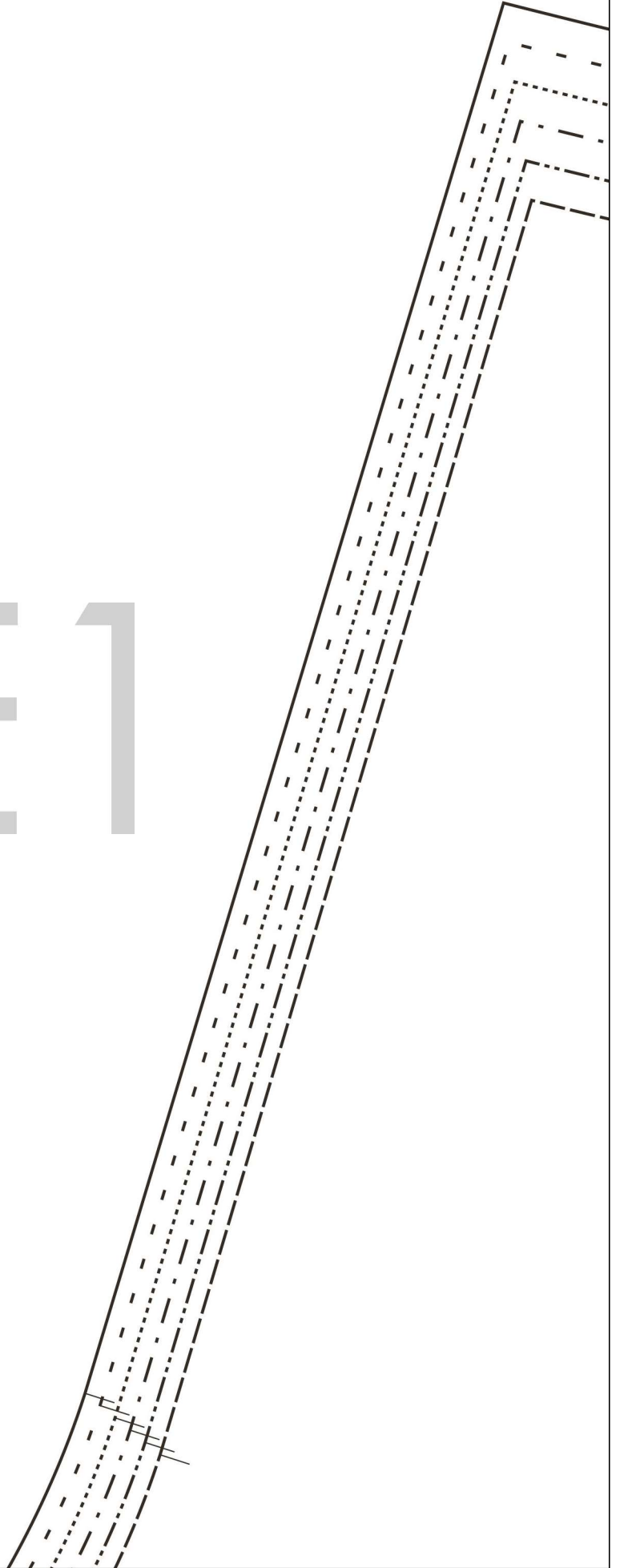
Fadenlauf/Straight grain
↓

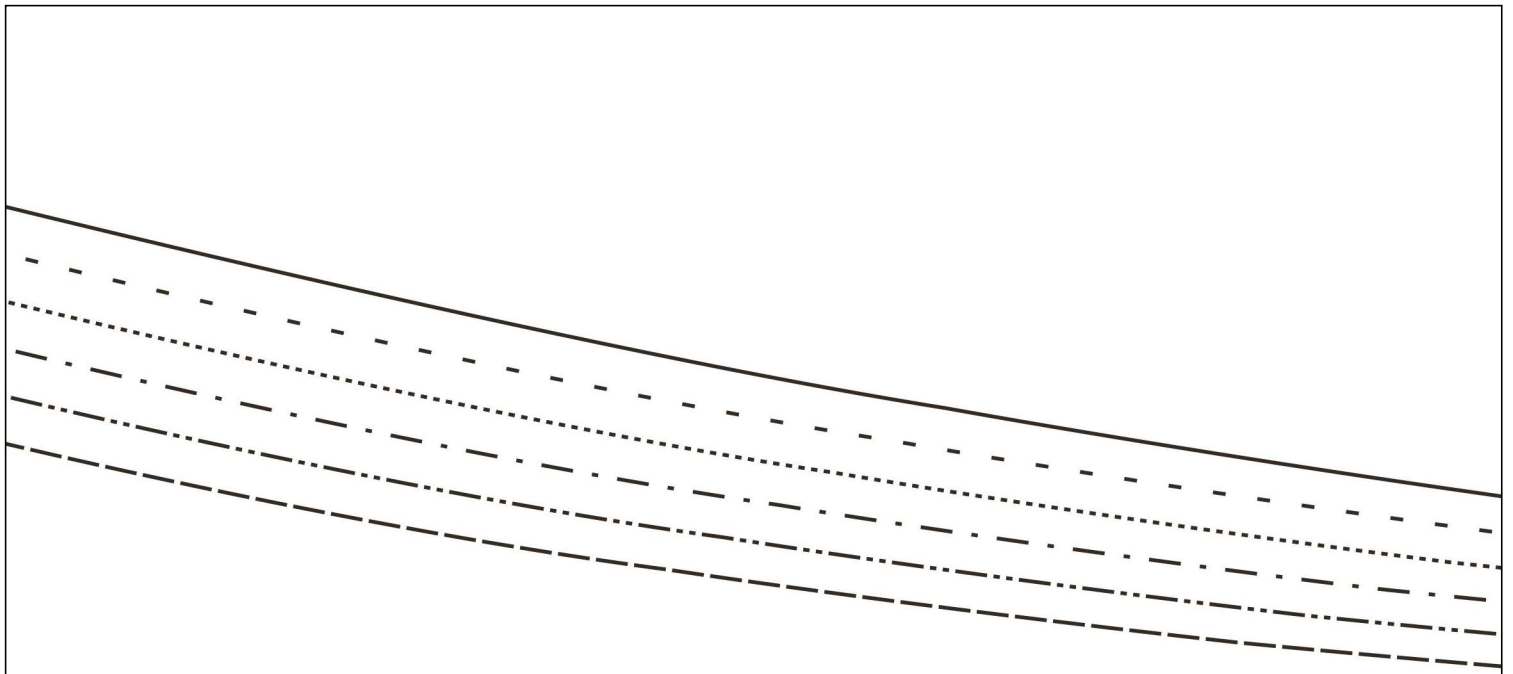
D2

Umschlag Umbruch/cuff foldline



E1





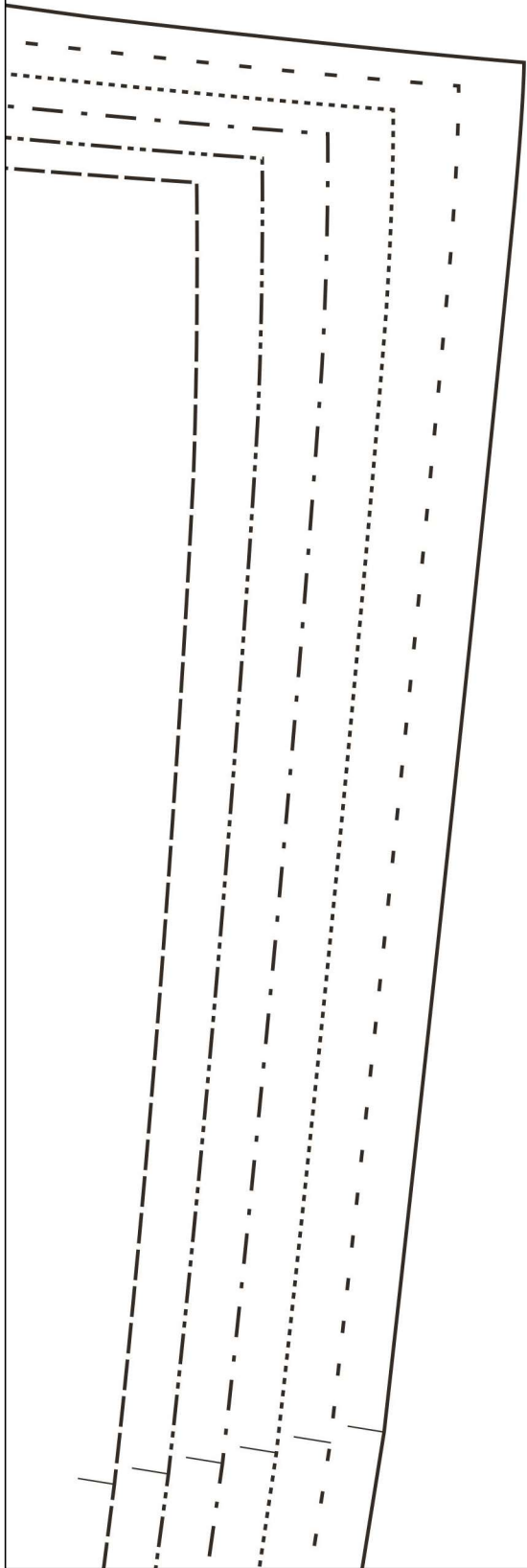
|

E2

SLOUCHY PANTS ELLA

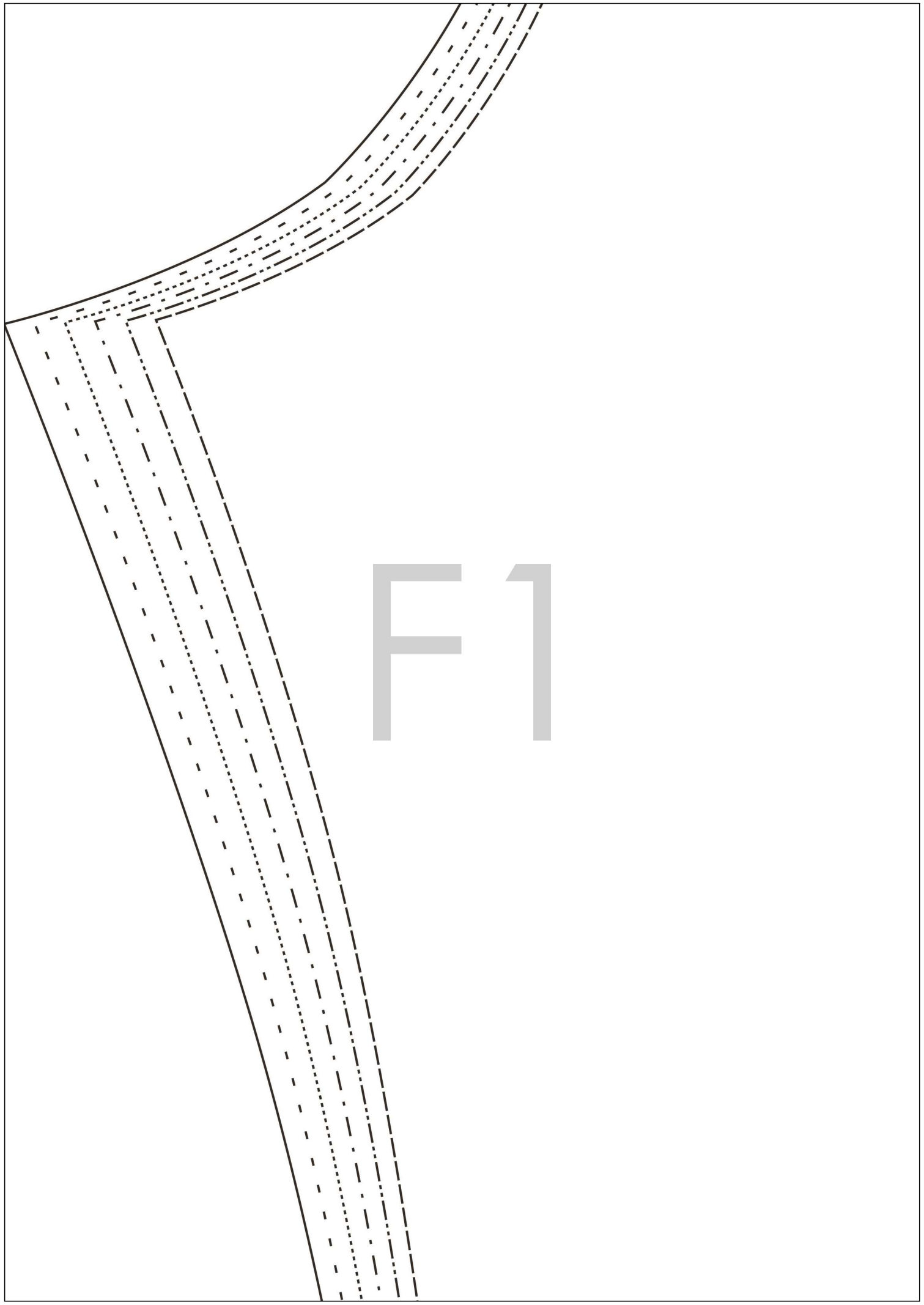
2x rückw. Hosenteil

2x pants back



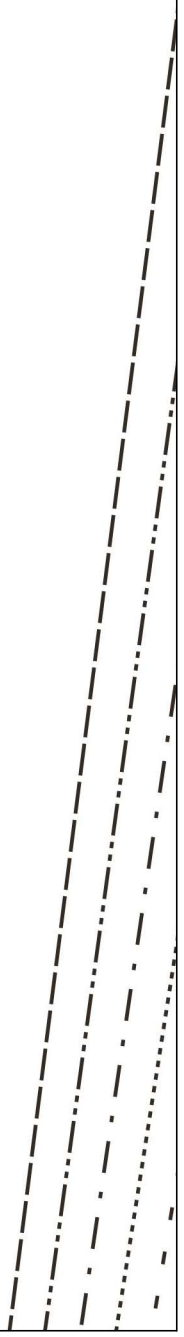
E3





F1

F2



SLOUCHY PANTS ELLA
Rückw. Bund
1 x im Bruch

waist band back
1 x on fold

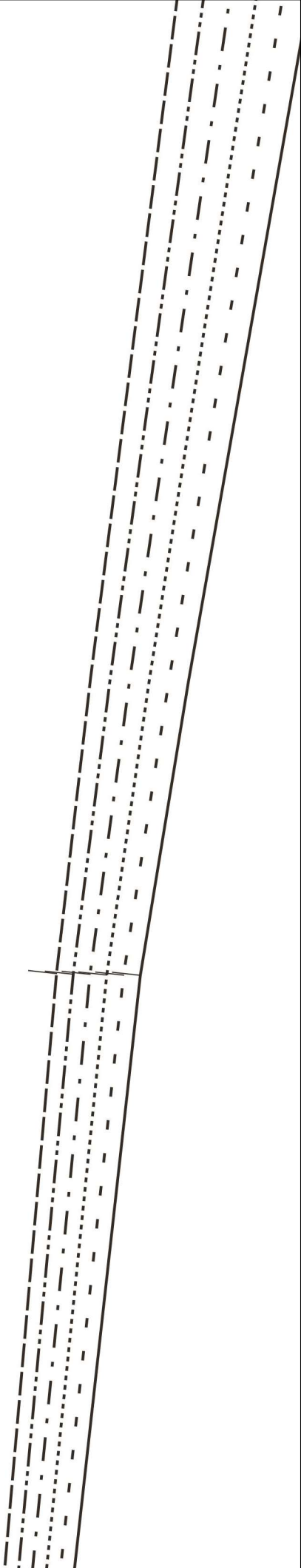
Stoffbruch/Foldline



CG 1

A technical drawing of a cylinder is shown, oriented vertically. A cutting plane is indicated by a horizontal line with arrows pointing to the right, intersecting the cylinder. The section line is represented by a series of parallel lines: a solid line on the left, a dashed line, a dotted line, and another dashed line on the right. The text 'CG 1' is overlaid on the drawing in a large, light gray font.

G2



Fadenlauf/Straight grain

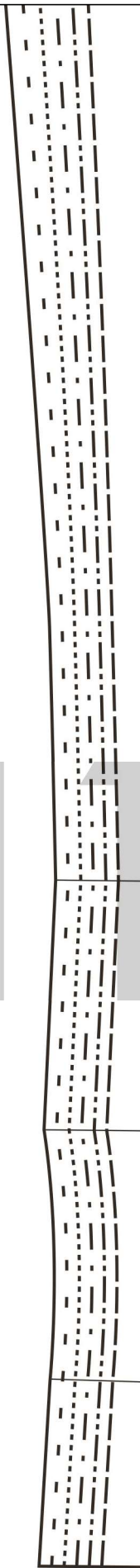
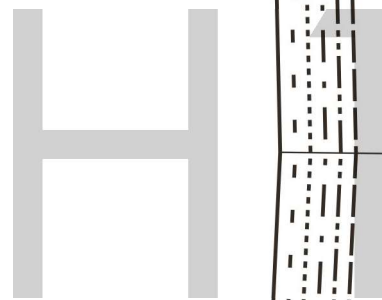
G3

SLOUCHY PANTS ELLA

2x Taschenbeutel

2x pocket

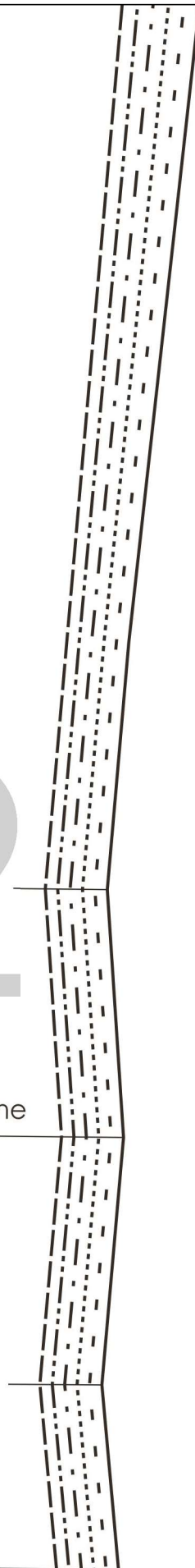
Hemmers Itex
fabrics for your creativity



Hemmers Itex
fabrics for your creativity

H2

Umschlag Umbruch/Cuff foldline





Fadenlauf/Straight grain

H3

SLOUCHY PANTS ELLA

2x Taschenbeutel Futter

2x pocket facing

Hemmers Itex
fabrics for your creativity